

WATER METERS

Cylindrical piston meter

- For cold water
- Nominal flow Q_n 1.5 - 2.5 m³/h
- Cartridge housing for fitting in horizontal and ascending piping
- Can be equipped later with Modularis remote reading modules



CYLINDRICAL PISTON METER FROM WEHRLE RECORD EVEN THE SMALLEST AMOUNTS OF WATER



Cylindrical piston meters from Wehrle convince through their efficiency, absolutely dependable processing quality and reliability.

The WEHRLE cylindrical piston meters are available in the metrological classes B (R80) or C (R 160). The low start of 2 litres/h guarantees the recording of the smallest amounts of water.

The maximum pressure load is 16 MPa.

The cylindrical piston meters are extremely well prepared for modern meter communication by normally being equipped with Modularis totalizers. With this intelligent solution, its integration into a remote reading system is not only simple, but can be done at a later date.

The cartridge housing is available for fitting both in horizontal and in ascending piping.

Once the calibration period has expired, only the cartridge will need to be replaced.

The meter housing can be equipped with a backflow preventer.

Totalizers and protective covers can be individually printed as the customer desires.

Cylindrical piston meters fulfill all demands of PTB (German Federal Physical-Technical Office) as well as EU guidelines. Numerous international approvals have been issued.

Naturally our cylindrical piston cartridges are also separately available.

- ① Protective cover
- ② Cartridge screw fitting
- ③ Cylindrical piston insert (cartridge)
- ④ Cartridge housing

VARIATIONS



Horizontal cylindrical piston meter RTK-HPX

HORIZONTAL PISTON METER

- Metrological class B (R80) or C (R160)
- The roller totalizer is protected by separating wet and dry areas
- Rotatable Modularis 8-digit roller totalizer
- The use of top-quality materials guarantees long service life
- Individual print as customer desires
- The new cylindrical piston measuring cartridge can easily be inserted in horizontal cartridge housings already in use



Ascending piping cylindrical piston meter RTK-SPX

ASCENDING-PIPING PISTON METER

- Technical data same as RTK-HPX
- The conventional impeller wheel ascending piping meters in a vertical piping can easily be replaced with the new cylindrical piston ascending piping meter.
- The new cylindrical piston measuring cartridge can easily be inserted into the ascending piping cartridge housing currently in use



Cylindrical piston meter cartridge RTK-OPX

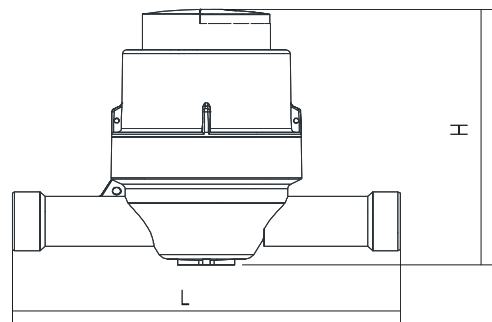
PISTON METER CARTRIDGE

- Cartridge for replacement for horizontal and ascending piping cartridge housings
- Technical data same as RTK-HPX
- Cartridge is calibrated when delivered

TECHNICAL DATA

PRODUCT DESCRIPTION

- RTK -... = Cylindrical piston meter
- ...-HPX = Standard cylindrical piston meter
- ...-SPX = Ascending piping meter
- ...-OPX = Cartridge



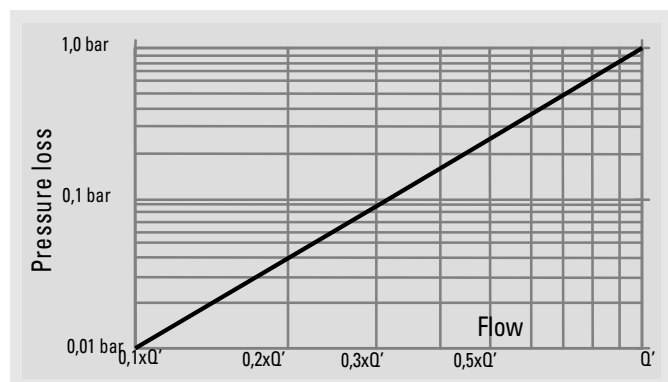
Dimensioned drawings of the meter

Overall length L [mm]	165	170	190	105 ascending piping
Nominal flow Q3	2,5	2,5	4	4
Nominal flow Qn	1,5	1,5	2,5	2,5
Nominal width [mm]	15	15	20	20
Start about [l/h]	< 2	< 2	< 2	< 2
Flow Q' at 1bar pressure loss [l/h]	5740	5740	5740	5740
Connecting thread	3/4"	3/4"	1"	1"
Height H about [mm]	140	140	140	140
Weight about [Kg]	1,6	1,6	1,8	2,1
Achievable metrological class RTK	C-H C-V R160HR160V	C-H C-V R160HR160V	C-H C-V R160HR160V	C-H C-V R160HR160V
Order numbers				
RTK- . PX	98-0240	98-0238	98-0235	98-0244
RTK-OPX	96-0575	98-0575	96-0574	96-0574

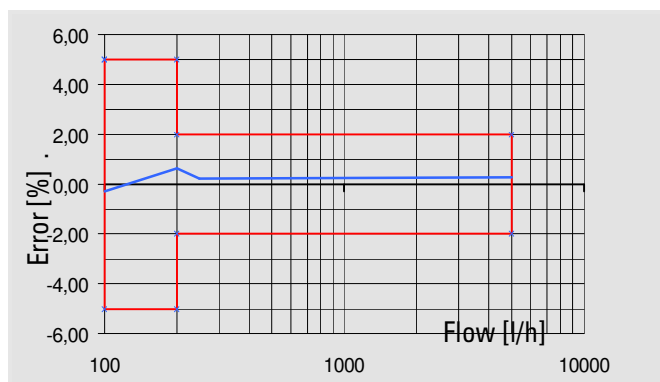
*Additional overall lengths and metrological classes on request

Technical data and order numbers of the Cylindrical piston meter

Data sheet Cylindrical piston meter as at 2008-10-20/MDA



Pressure loss curve



Typical error curve