

## Piston Meter Composite MODULARIS RTK-HYX



Fig. Dial RTK-HYX

Our Wehrle Piston Meter Composite MODULARIS stands out with its high-precision measuring accuracy and, at the same time, convinces with its robust composite body showing an utmost of modern technology and technical progress.

- Ready for integration into any AMR system
- EN ISO 3822-1 : 1999 Noise Acoustic Group I
- Length 105 mm up to 190 mm
- Nominal flow rate  $Q_3$  2,5 up to  $Q_3$  4
- MID measurement accuracy class ( $Q_3/Q_1$ ) up to R800 irrespective
- Composite meter body with optimized stability of thread contour
- Maximum pressure load 1,6 MPa
- Temperature range up to 30 °C
- Protection class IP64

# Piston Meter Composite MODULARIS RTK-HYX

## REMOTE READING OPTIONS AMR – (Automatic Meter Reading)

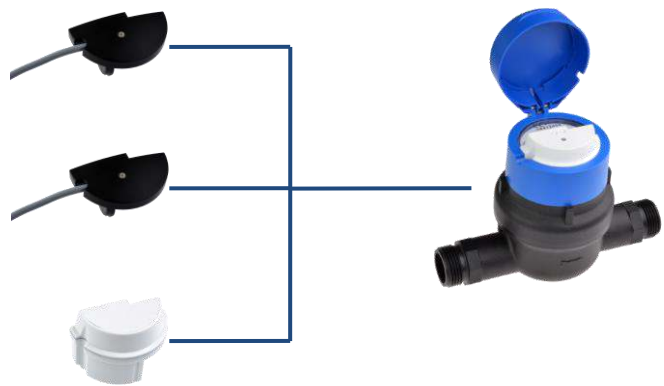
### MODULARIS-Module

Modularis Pulse Generator, S0, DIN 43864  
 alternatively with

- 1 Litre per pulse
- 10 Litres per pulse
- 100 Litres per pulse

Modularis M-Bus module  
 according to EN 1434-3

Modularis Radio module, frequency range  
 433 MHz oder 868 MHz (OMS)



### Retrofitting with Modularis Radio module

- Uni- or bidirectional transmission procedure
- Individually parameterizable
- Data recording via walk-by / drive-by
- Consumption data permanently stored
- Battery lifetime of up to 12 years
- Detection of rotation direction
- Manipulation detection



### Maximum convenience through AMR walk-by / drive-by solution

- Recording and storage of consumption data inside the radio module
- Reading of stored data via mobile reading device



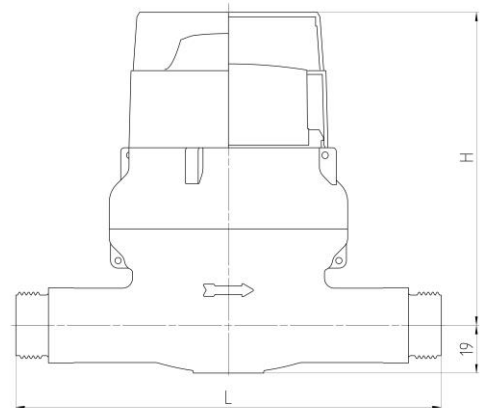
# Piston Meter Composite MODULARIS

## RTK-HYX

### TECHNICAL DATA

#### Model

RTK-HYX = Cold water from +0,1 °C up to +30 °C



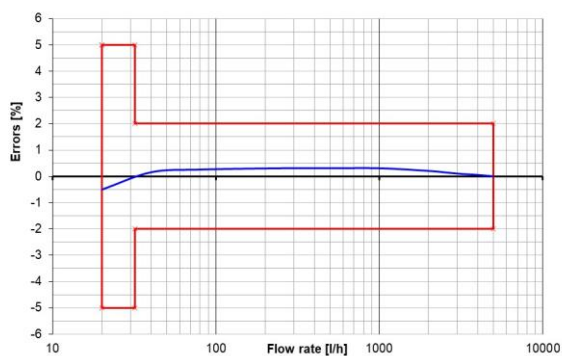
Installation position	Length* L in mm	Height H in mm (ca.)	Nominal flow Q <sub>3</sub> in m <sup>3</sup> /h	Nominal width DN in mm	Thread in inch	Starting flow** in l/h	Flow rate Q' at 1 bar pressure loss in l/h (ca.)	Weight in kg (ca.)
irrespective	105	125	2,5	20	G 1 B	< 2	6400	0,5
	105	125	4	20	G 1 B	< 2	6400	0,5
	110	125	2,5	15	G ¾ B	< 2	5100	0,5
	115	125	2,5	15	G 7/8 - ¾ B	< 2	5100	0,5
	115	125	2,5	15	G ¾ B	< 2	5100	0,5
	165	125	2,5	15	G ¾ B	< 2	5100	0,55
	170	125	2,5	15	G ¾ B	< 2	5100	0,55
	190	125	2,5	20	G 1 B	< 2	6400	0,59
	190	125	4	20	G 1 B	< 2	6400	0,59

\* Additional lengths available on request

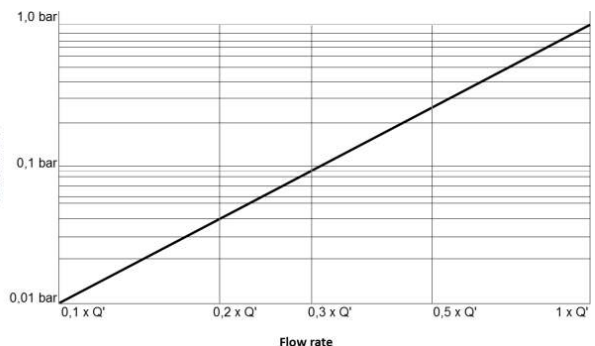
\*\* Typical values

The meter does not require any upstream or downstream straight length (U0/D0).

Typical error curve Q<sub>3</sub> 4 R200H



Typical pressure loss graph



# Piston Meter Composite MODULARIS

## RTK-HYX

### APPROVALS / CERTIFICATES / STANDARDS

- EU-Type Examination Certificate according to 2014/32/EU (MID)
- OIML R49
- EN 14154
- KTW / W270 (D)
- ACS (F)

### ADDITIONAL OPTIONS

- Individual labelling of totalizer and/or protection cover (on customer request)
- Transparent cover with viewing window for litre pointer → Abb. ①
- Non-return valve



Fig. ①